



Your Stralis NP

400 HP.

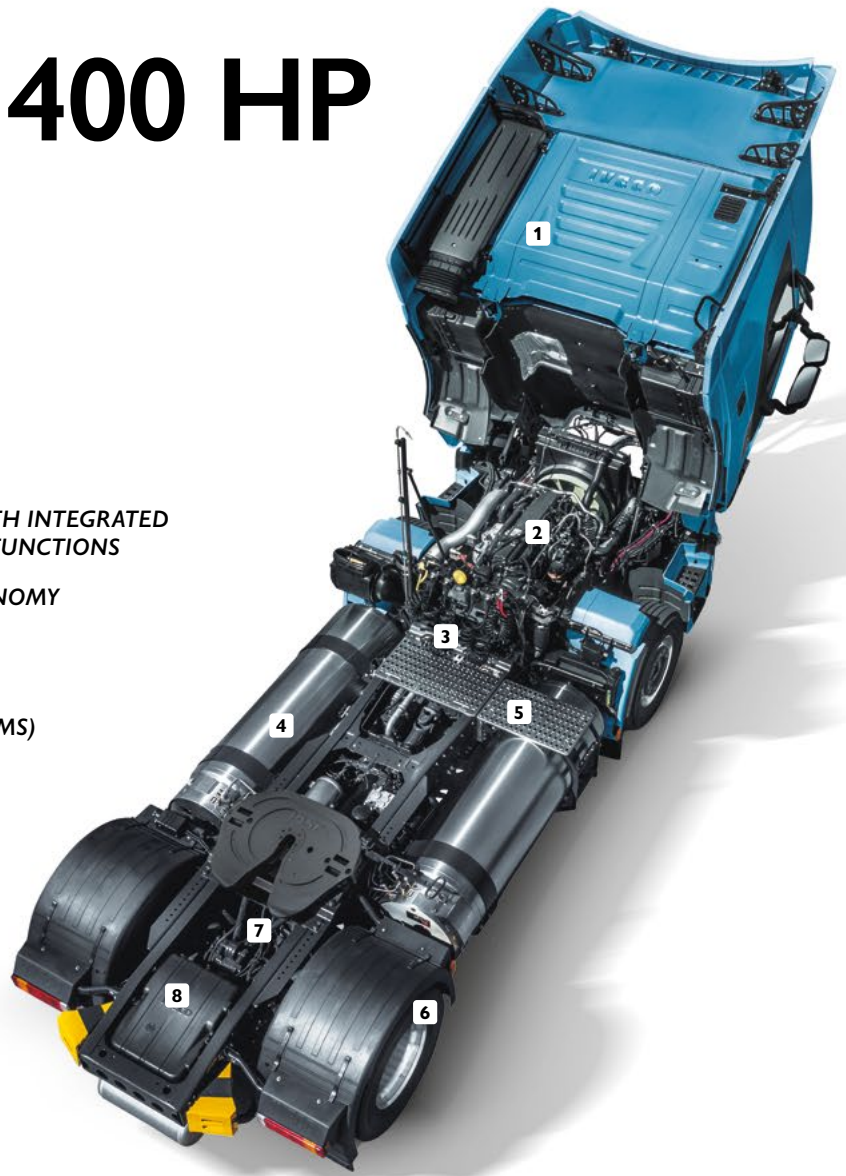
www.oktrucks.com

CHECKED
CERTIFIED
IVECO

Stralis NP 400 HP

at a glance.

- 1 HI-WAY 2.5 M-WIDE CAB
- 2 CURSOR 9 400 HP NATURAL GAS ENGINE
- 3 12-SPEED AUTOMATED TRANSMISSION WITH INTEGRATED RETARDER, ECO-ROLL AND HILL-HOLDER FUNCTIONS
- 4 DOUBLE-LNG CONFIGURATION FOR AUTONOMY UP TO 1,600 KM
- 5 STRONG CATWALK
- 6 TYRE PRESSURE MONITORING SYSTEM (TPMS) AVAILABLE
- 7 LOW FRICTION REAR AXLE
- 8 REAR BATTERY BOX



Low emissions.

NP technology is based on a simple and robust catalyst that does not require AdBlue® or particulate filter, with reducing emissions compared to a diesel equivalent:

- 85% PM
- 90% NO₂
- 95% CO₂ with biomethane (well-to-wheel cycle).

Combinations of LNG tanks suitable for every mission.

A wide choice of tanks combination of different sizes models, with mounting on the right or left side, for liquefied or compressed natural gas. The autonomy depends on the vehicle configuration.



LNG only, up to 1,600 km



CNG + LNG, up to 285 + 800 km



CNG only, up to 570 km

Pure power.

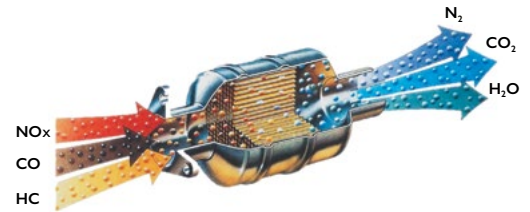
Cursor 9 Engine and performance.

The Cursor 9 NP engine delivers perfect power and torque for regional transport missions. The engine delivers torque 1,700 Nm already at 1,200 rpm and the “**silent mode 72 dB(A)**” function makes this engine perfect for urban operation and night deliveries.



MAX. POWER 400 HP
MAX. TORQUE 1,700 NM

- **No AdBlue®**
- **No particulate filter**
- **No active regeneration**
- **No after-treatment maintenance**
- **Oil change intervals have been extended to 75,000 km.**



Your warranties.

With ELEMENTS you have the peace of mind of an assistance-coverage dedicated to after sales with 2,000 points of assistance in Europe, reachable 24/24 hours and 7/7 days at the free-toll number 080048326000.

IVECO
0080048326000
Assistance Non-Stop

Enjoy the benefits of:

- ✓ Warranty coverage + maintenance service available
- ✓ No customer excess requested
- ✓ UAE coverage
- ✓ Flexible contract options



Your coverage.

MAINTENANCE



Maintenance, lubrication, oils and fluids change according to maintenance and repair handbook.

DRIVE LINE



Repairs for engine, injection, gear box, propeller shaft, axle.

EXTRA DRIVE LINE



All repairs except engine, injection, gear box, propeller shaft, axle. Ex: electrical system.

WEAR



Clutch, brake, pads, brake discs, drums (rebore), seal for brake drums.







Your Stralis NP

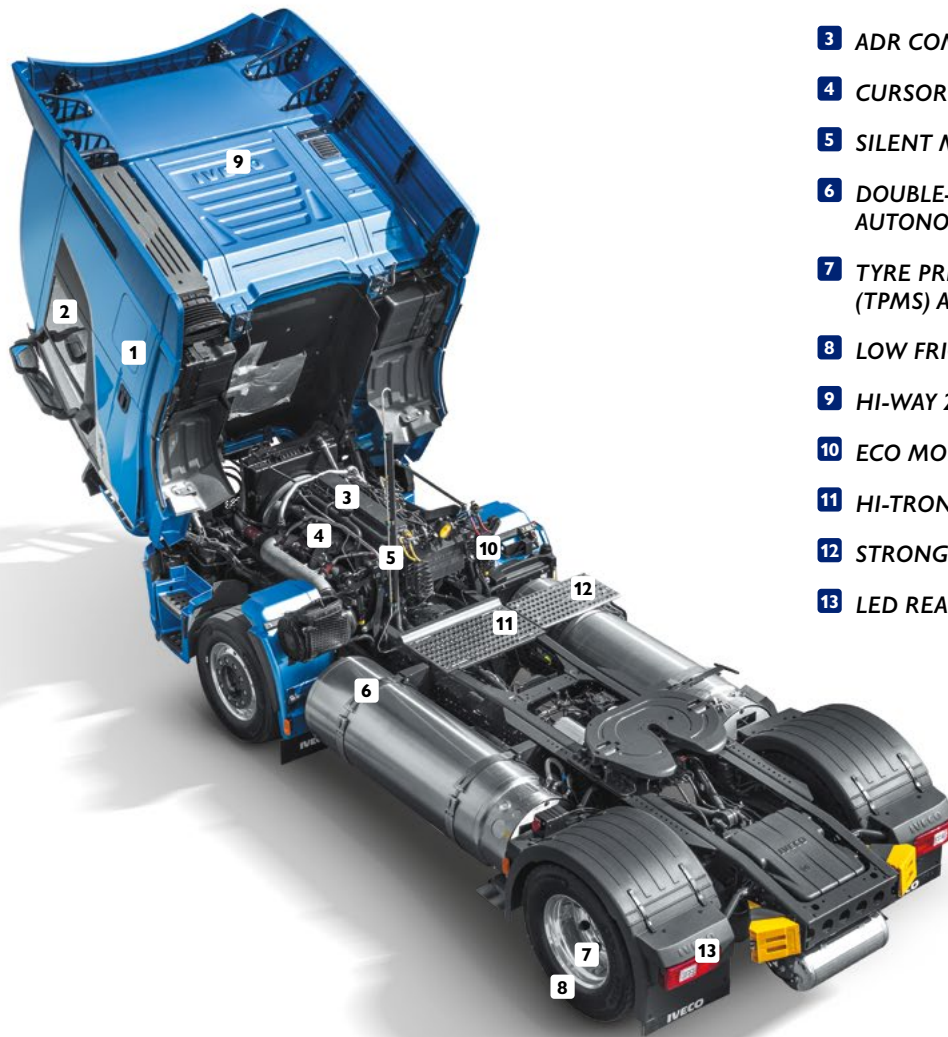
460 HP.

www.oktrucks.com

CHECKED
CERTIFIED
IVECO

Stralis NP 460 HP

at a glance.



- 1 DSE (DRIVING STYLE EVALUATION)
- 2 IVECO HI-CRUISE
- 3 ADR COMPATIBILITY (FL+AT)
- 4 CURSOR 13 UP TO 460 HP
- 5 SILENT MODE: 71 DECIBELS
- 6 DOUBLE-LNG TANK CONFIGURATION FOR AUTONOMY UP TO 1,600 KM
- 7 TYRE PRESSURE MONITORING SYSTEM (TPMS) AVAILABLE
- 8 LOW FRICTION REAR AXLE
- 9 HI-WAY 2.5 M-WIDE CAB
- 10 ECO MODE
- 11 HI-TRONIX GEARBOX: 12-SPEED
- 12 STRONG CATWALK
- 13 LED REAR LIGHTS AVAILABLE

Combinations of LNG tanks suitable for every mission.

A wide choice of tanks combination of different sizes models, with mounting on the right or left side, for liquefied or compressed natural gas. The autonomy depends on the vehicle configuration.



- 1 Up to 1,600 km
- 2 Up to 1,400 km
- 3 Up to 1,150 km
- 4 Up to 800 km

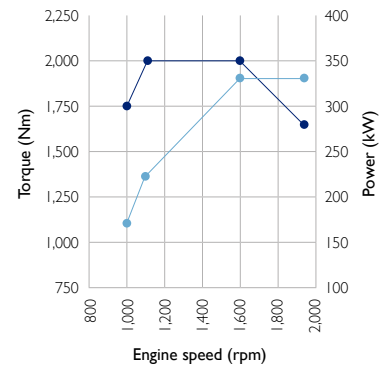
Pure power.

Cursor 13 Engine and performance.

The Cursor 13 Euro VI engine was specifically developed for long-haul international transport. With a 12.9-litre displacement, **enhanced combustion process** and optimised weight, it delivers the best fuel efficiency even in very long-distance missions. The new generation gas injectors, fuel rail and pistons are designed to deliver the highest power output and torque.

The Cursor 13 NP engine delivers perfect power and torque for national and international transport missions. The engine delivers torque 2,000 Nm already at 1,100 rpm and the **“silent mode 72 dB(A)”** function makes this engine perfect for urban operation and night deliveries.

Oil change intervals have been extended to 90,000 km.



Your warranties.

With ELEMENTS you have the peace of mind of an assistance-coverage dedicated to after sales with 2,000 points of assistance in Europe, reachable 24/24 hours and 7/7 days at the free-toll number 080048326000.

Enjoy the benefits of:

- ✓ Warranty coverage + maintenance service available
- ✓ No customer excess requested
- ✓ UAE coverage
- ✓ Flexible contract options

IVECO
0080048326000
 Assistance Non-Stop



Your coverage.

MAINTENANCE



Maintenance, lubrication, oils and fluids change according to maintenance and repair handbook.

DRIVE LINE



Repairs for engine, injection, gear box, propeller shaft, axle.

EXTRA DRIVE LINE



All repairs except engine, injection, gear box, propeller shaft, axle. Ex: electrical system.

WEAR



Clutch, brake, pads, brake discs, drums (rebore), seal for brake drums.



